

Machine specifications for Vturn-V20W/V24W



ITEM / MODEL		Vturn-V20W	Vturn-V20W Without ACC	Vturn-V24W	Vturn-V24W Without ACC
X1, X2 travel	mm (inch)	420 (16.54)	420 (16.54)	560 (22.05)	560 (22.05)
Z1, Z2 travel	mm (inch)	420 (16.54)	420 (16.54)	460 (18.11)	460 (18.11)
X1, X2 rapid feedrate	m/min (ipm)	20 (787.4)	20 (787.4)	15 (590.6)	15 (590.6)
Z1, Z2 rapid feedrate	m/min (ipm)	20 (787.4)	20 (787.4)	15 (590.6)	15 (590.6)
Maximum swing for component	mm (inch)	700 (27.56)	700 (27.56)	800 (31.5)	800 (31.5)
Maximum turning diameter	mm (inch)	560 (22.05)	600 (23.62)	660 (26)	710 (28)
Max. turning wheel size	inch	20x10	22x10	24x11	26x11
Spindle speed	rpm	2500	2500	2000	2000
Spindle nose		A2-13	A2-13	A2-13	A2-13
Spindle motor	kW (HP)	37/45 (50/60)	37/45 (50/60)	45/55 / 50i (60/73.7)	45/55 / 50i (60/73.7)
X1, X2 servo-motor	kW (HP)	4.0 / 22i (5.4)	4.0 / 22i (5.4)	4.0 / 22i (5.4)	4.0 / 22i (5.4)
Z1, Z2 servo-motor	kW (HP)	4.0 / 22i (5.4)	4.0 / 22i (5.4)	7.0 / 30i (9.4)	7.0 / 30i (9.4)
Turret disc		VDI-40	VDI-40	VDI-50	VDI-50
Number of tools		6+6	6+6	6+6	6+6
Tool to tool time	sec.	1.0	1.0	1.0	1.0
Machine dimension	mm (inch)	3200x2890x3100 (126x114x122)	3200x2240x3100 (126x88x122)	4000x3400x3350 (157x134x132)	4000x2500x3350 (157x98x132)
Coolant tank	liter (gallon)	1000 (264)	1000 (264)	1500 (396)	1500 (396)
Controller		FANUC 18i-TB	FANUC 18i-TB	FANUC 18T-C	FANUC 18T-C
Power requirement	kVA	90	90	100	100
Machine weight	kgs (lbs)	12000 (26520)	11500 (25415)	17000 (37970)	16500 (36465)

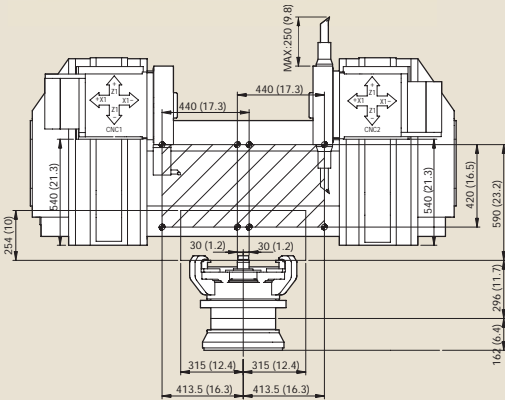
Standard accessories :

- Fully enclosed guarding
- Auto chuck changer
- Finger chucks
- VDI tool holders including exclusive OFFSET tooling
- Auto door
- High pressure and high volume coolant (2 Grundfos pumps CH12-30)
- 2 Chip conveyors
- Remote MPG
- Oil mist remover
- Tool box
- Levelling blocks
- Air conditioner for electrical cabinet
- 3 step warning light
- Air blow system
- Stepper for operator

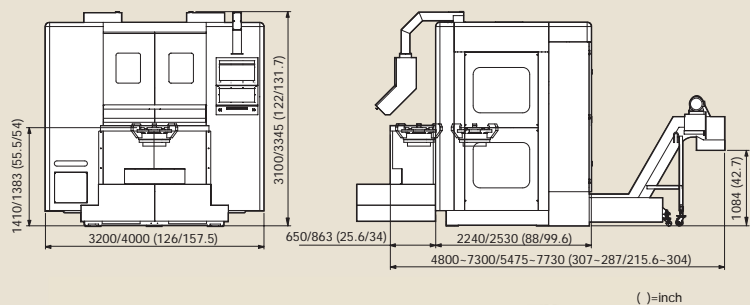
Optional accessories :

- No ACC
- Wheel lifting device

Moving range for Vturn-V20W



Machine layout for Vturn-V20W / V24W



Moving range for Vturn-V24W

